

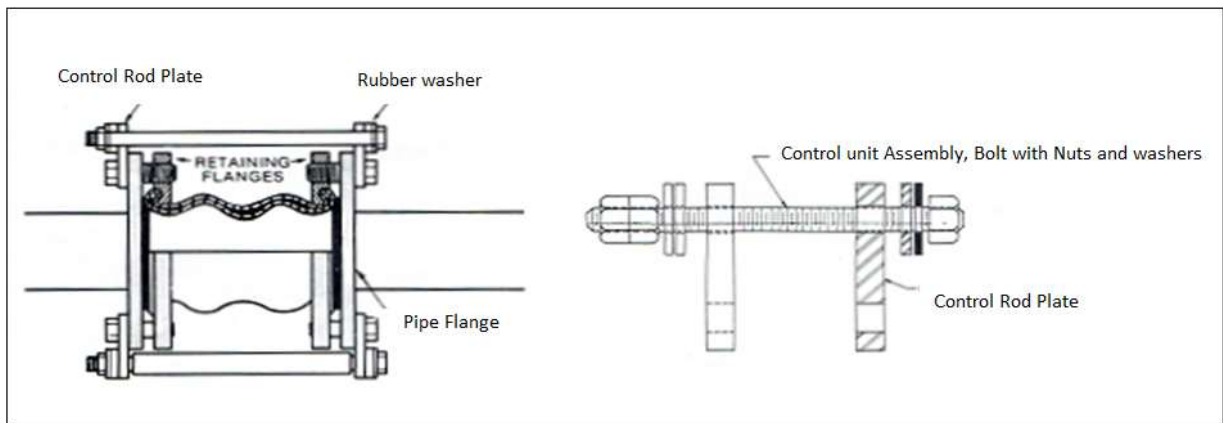
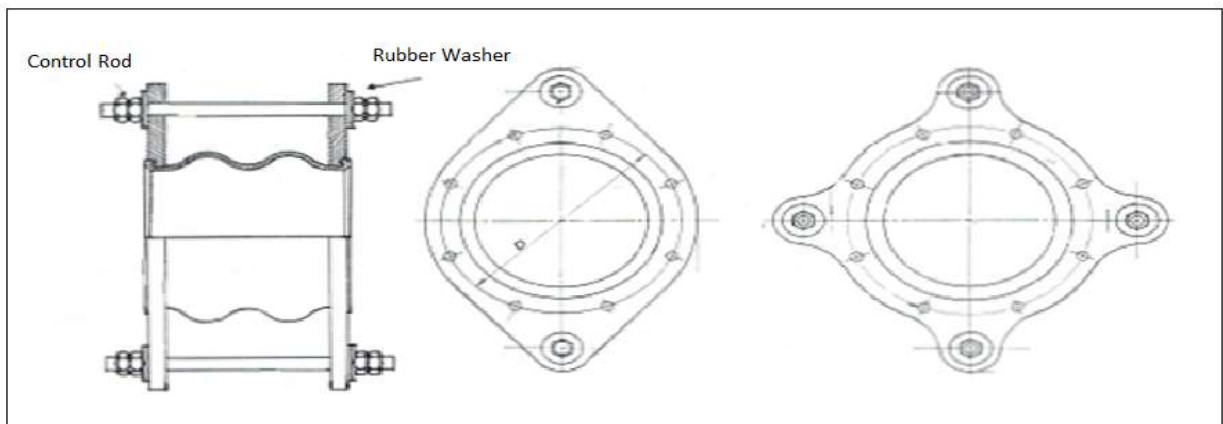
INTAFLEX- Control Rods

Control rods can be installed on our full range of rubber expansion joints, these control rods enable the expansion joints to move within their full capabilities and absorb pressure thrusts, minimising potential fatigue failures caused from exceeding the allowable movements.

INTAFLEX's engineered control rod sets are manufactured in our workshop designed for each expansion joint matching the flange PCD, pre- assembled for easy site installation.



Standard Flanges with TIE RODS



+618 94 930 901
www.intaflex.com.au
Head Office: 517 Bickley Road, Maddington, WA 6109
Locations: Australia, Singapore, Indonesia, Vietnam

| | |
|--------------------|---------|
| Data sheet number: | INTA-18 |
| Issue date: | 5.08.21 |
| Approved: | CG/TO |



Composite Hose • Rubber Expansion Joints • Stainless Braided Hose • Metallic Expansion Joints